
System MP10000 (NW110)

CARRIER X-RAY


**ARCHITECT'S - ENGINEER'S OWNER'S
GUIDE**



PNEUMATIC TUBE SYSTEMS

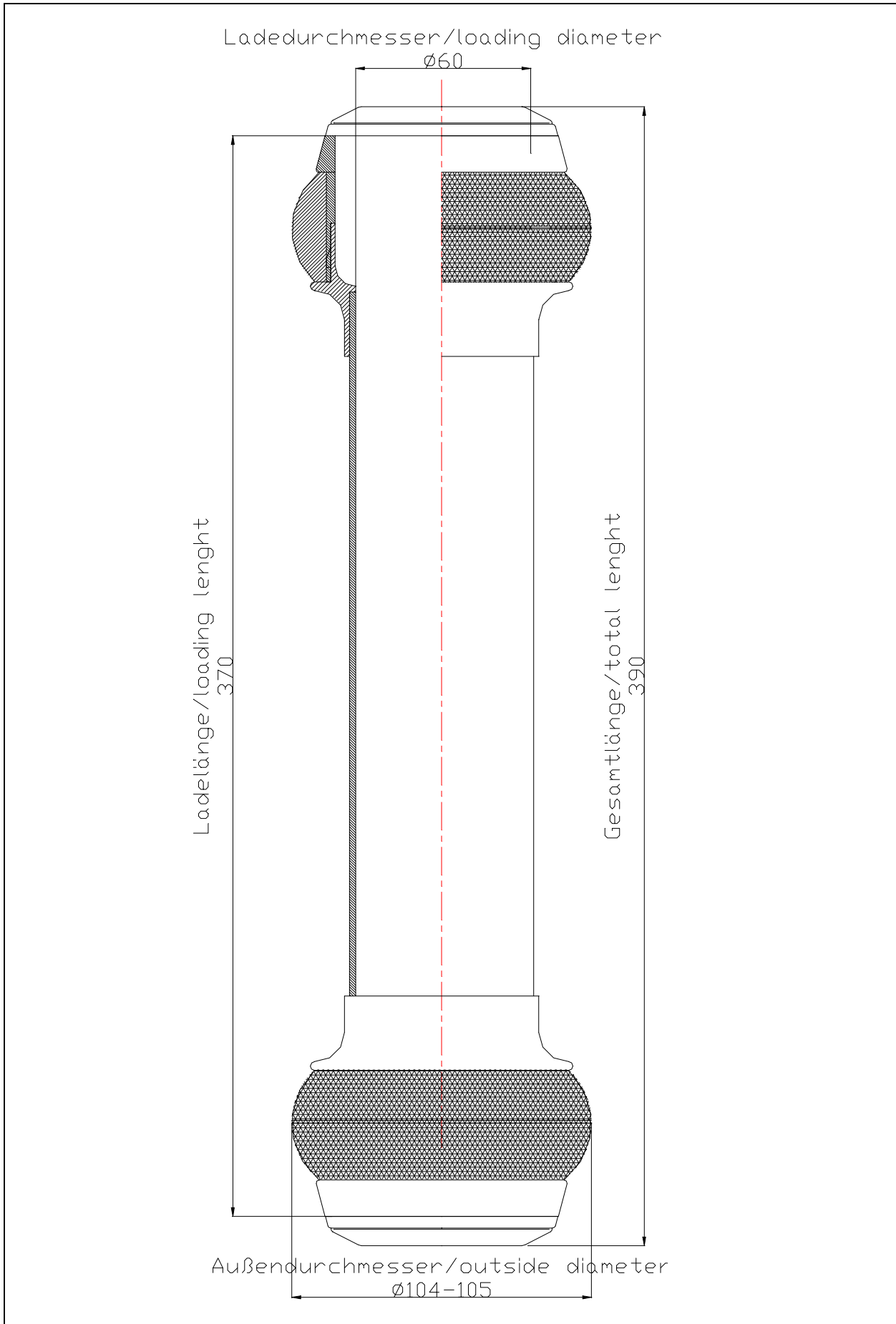
www.sumetzberger.com

| | | |
|---------------------|-------------------------------|----------|
| CHAPTER I. | CONTENS | 1 |
| CHAPTER II. | GENERAL | 1 |
| | GENERAL TECHNICAL DESCRIPTION | 1 |
| CHAPTER III. | DATA SHEET | 1 |
| | MEASUREMENTS | 1 |
| CHAPTER IV. | SPARE PARTS | 1 |
| | X- RAY CARRIER | 1 |
| CHAPTER V. | MAINTENANCE | 1 |
| | CARRIER SLIDING RINGS | 1 |

| | | |
|--|--|--|
| Model | X-RAY Carrier with swivel lid NW 110 | |
| Manufacturer | Ing. Sumetzberger GmbH., Leberstr. 108 A-1110 Vienna | |
| Method of construction | Carrier with swivel lid | |
| Application | transport of X-ray photos | |
| Loading diameter Loading length | Ø60mm/ 2.4" 370 mm | |
| Bendradius | Bendradius for carrier NW110R : 650mm | |
| Order no. | RP32032 |  |

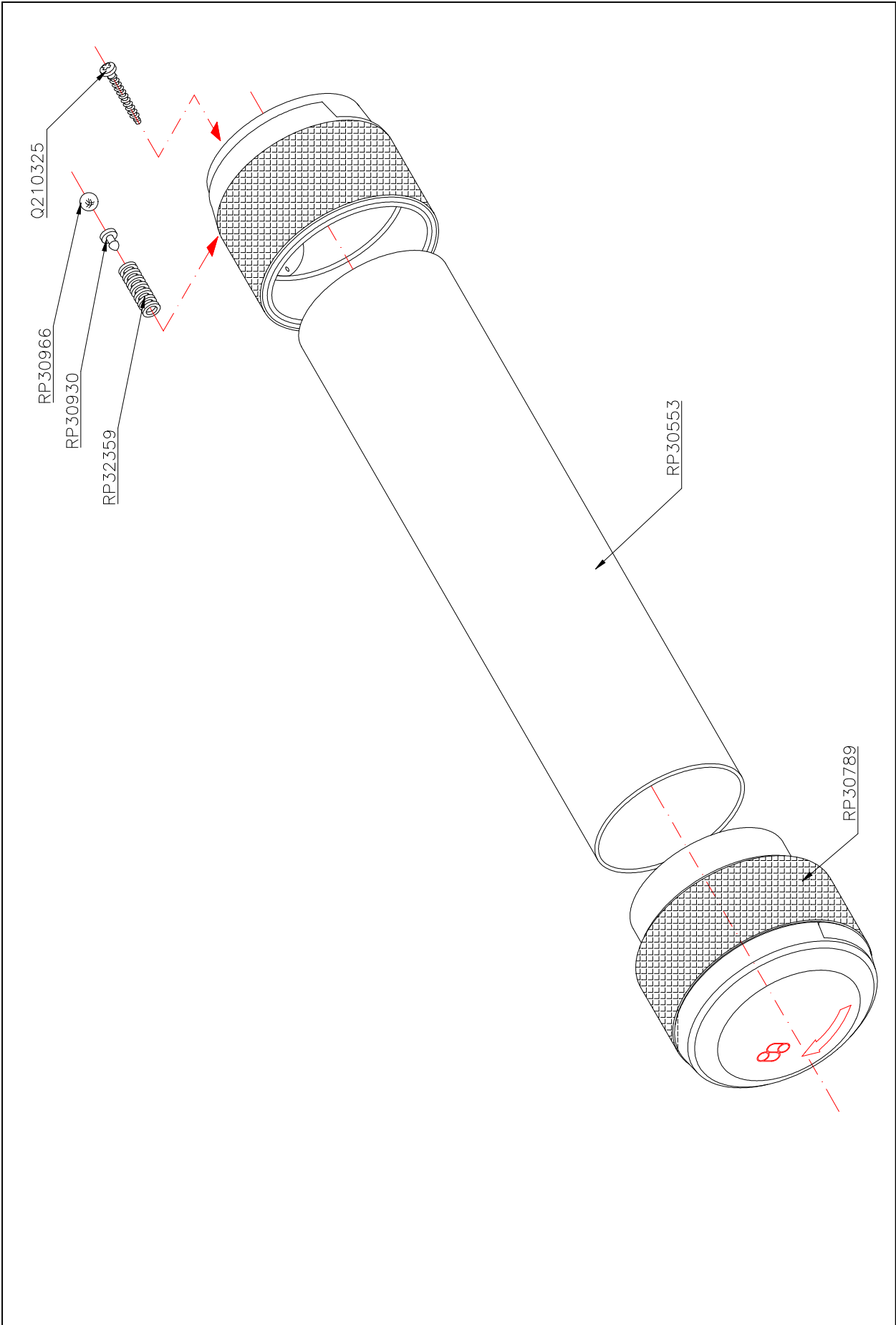
DATA SHEET

Measurements



SPARE PARTS

X- ray carrier



SPARE PARTS

X-Ray Carrier

| No. | Part | Order No. | Remark |
|-----|--|----------------|---|
| | C 110R 370x60MM SCHWENK ROT/ SWIVEL RED RÖNTGEN/X-RAY | RP32032 | X-Ray carrier 110R 370x60mm |
| | HÜLENKOPF 110L KOMPLETT BG1 | RP30789 | Carrier head 110L complete BG1 |
| | HÜLSE 110R HÜLSENROHR KOMPLETT LL 59X365mm, Rohr:63x1,9x???mm | RP42630 | carrier tube complete 59x365mm |
| | DRUCKFEDER DA5,8 DI4,2 RP1110 NIRO (HÜLENKOPF 110L) | RP32359 | pressure spring corrosion- resistant (carrier head 110L) |
| | KABELLOCHBANDKNOPF OP 3342 TRANSPARENT | RP30930 | punched tape pin |
| | KUGEL-NIROSTA WS4034 d=6,0mm | RP30966 | Ball (corrosion-resistant steel) diameter =6mm |
| | SENKSCRAUBE ECO SYN 3X25 | Q210325 | Countersunk screw 3x25mm |

Version: XR-CAR

MAINTENANCE

Carrier sliding rings

Sumetzberger. 

Date: 27.03.01

Chapter: 5
Page: 1