









System MP10000 (NW160)

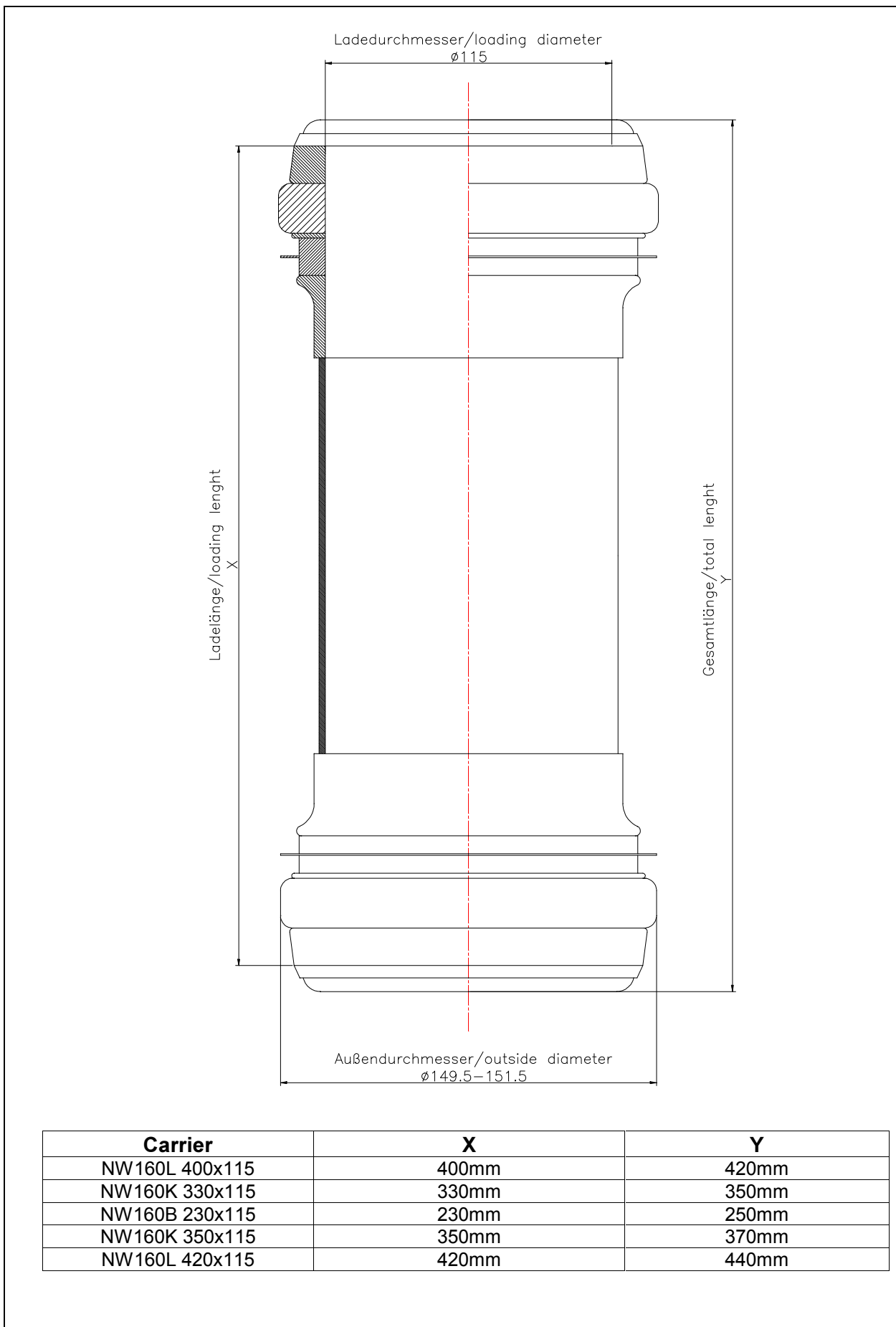
CARRIER 160L/160K

**ARCHITECT'S - ENGINEER'S OWNER'S
GUIDE**

Sumetzbger® 
PNEUMATIC TUBE SYSTEMS
www.sumetzbger.com

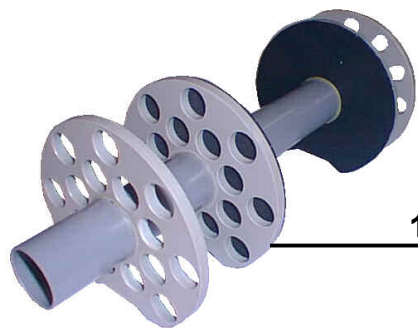
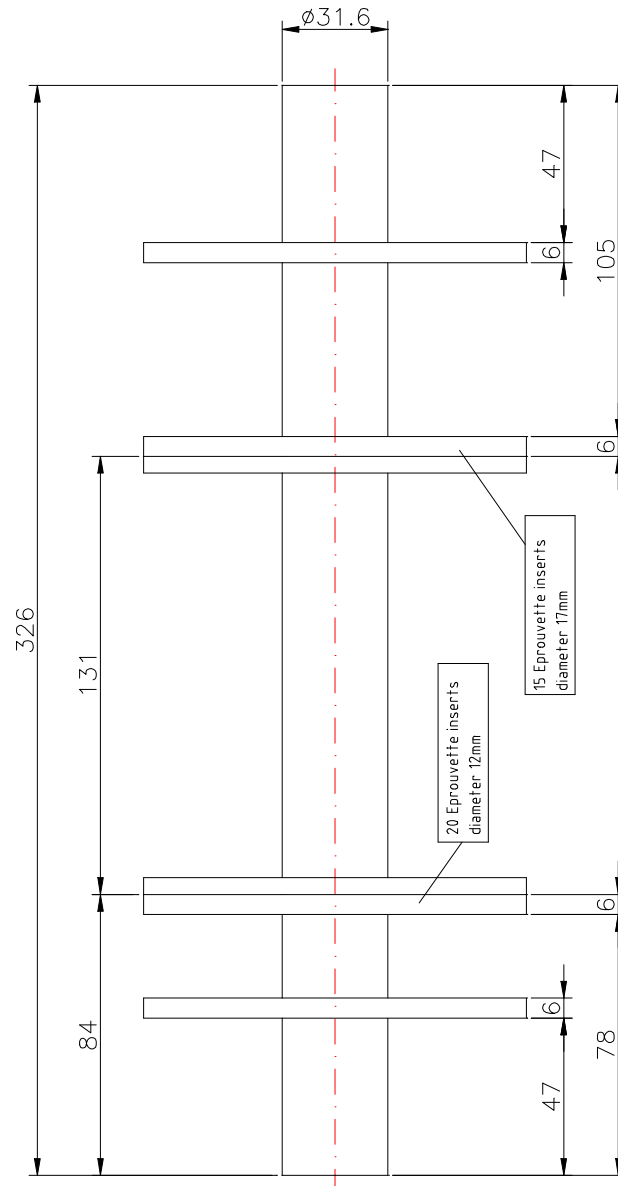
CHAPTER I.	CONTENTS	1
CHAPTER II.	GENERAL	1
	GENERAL TECHNICAL DESCRIPTION	1
CHAPTER III.	DATA SHEETS	1
	MEASUREMENTS	1
	MEASUREMENTS EPROUVETTE INSERTS 160K	2
CHAPTER IV.	SPARE PARTS	1
	CARRIERS 160L/ 160K	1
	CLEANING CARRIER 160	3
	CLEANING CARRIER 6"	5
CHAPTER V.	MAINTENANCE	1
	CARRIER SLIDING RINGS	1

Model	Carrier NW 160L/160K							
Manufacturer	Ing. Sumetzberger G.m.b.H. Leberstr. 108 A-1110 Vienna							
Method of construction	Carrier with swivel lid							
Application	transport of different products							
Loading diameter Loading length	Ø115mm/4,5" NW160L: 400 mm, NW160K: 330mm Special length: 230mm, 350mm, 420mm							
Bendradius	Bend radius for carrier NW160K: 800/1200 mm Bend radius for carrier NW160L: 1200 mm							
Order no.:	<table border="1"> <thead> <tr> <th>Reinigungshülse 160/6" RP44378A/RP44378</th> <th>NW160K 330x115 RP32036</th> <th>NW 160L 400x115 RP32035</th> </tr> </thead> <tbody> <tr> <td></td> <td></td> <td></td> </tr> </tbody> </table>		Reinigungshülse 160/6" RP44378A/RP44378	NW160K 330x115 RP32036	NW 160L 400x115 RP32035			
Reinigungshülse 160/6" RP44378A/RP44378	NW160K 330x115 RP32036	NW 160L 400x115 RP32035						
								
Special length:								
Order no.:	Carrier NW160B 230x115 RED Carrier NW160K 350x115 RED Carrier NW160L 420x115 RED Cleaning carrier NW160 YELLOW Cleaning carrier NW 6" YELLOW	RP32054 RP32099 RP32036A RP44378A RP44378						



DATA SHEETS

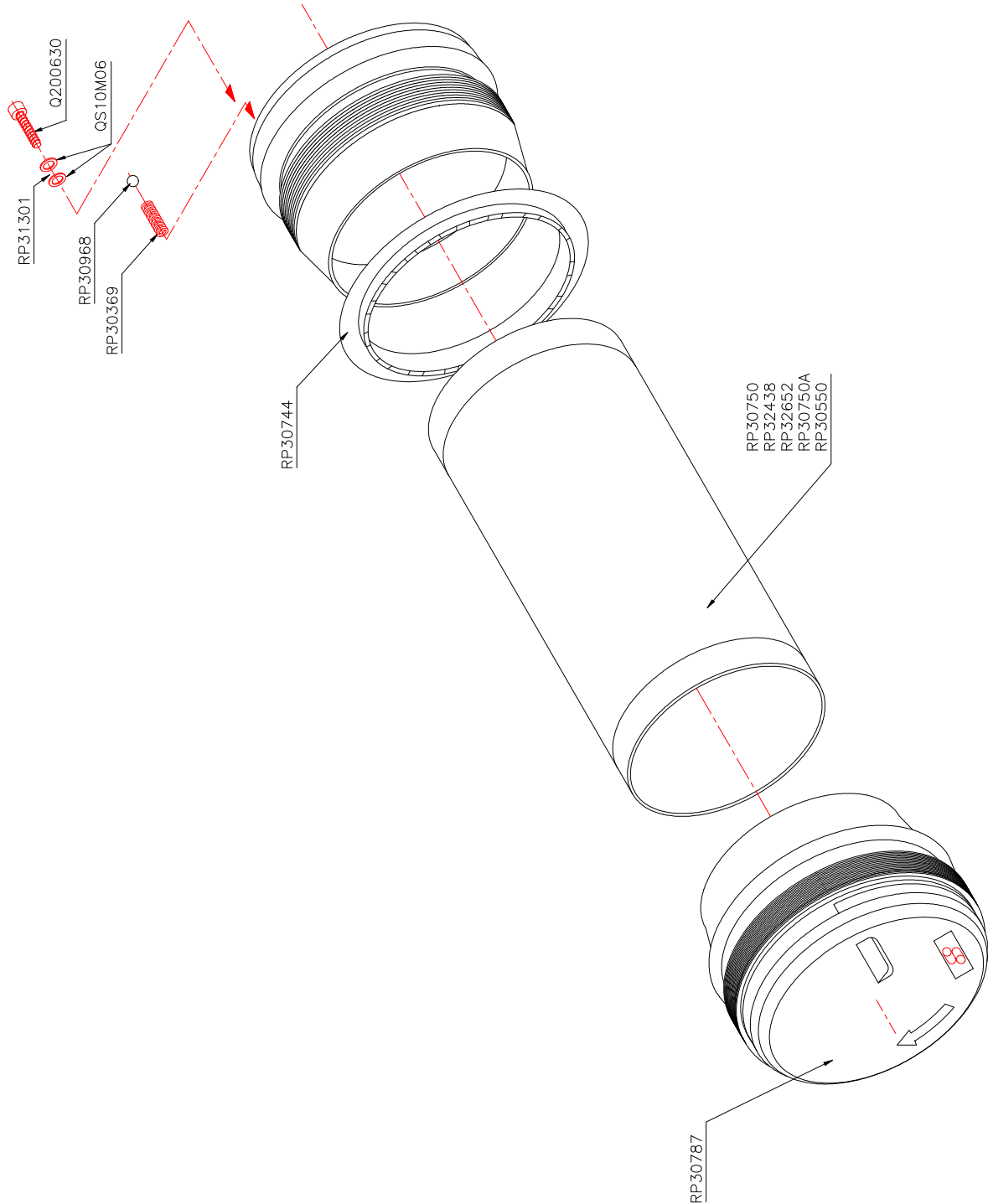
Measurements Eprouvette inserts 160K



Number	Item	Order no.	Remark
1	Eprouvette inserts 160K	RP43293	

SPARE PARTS

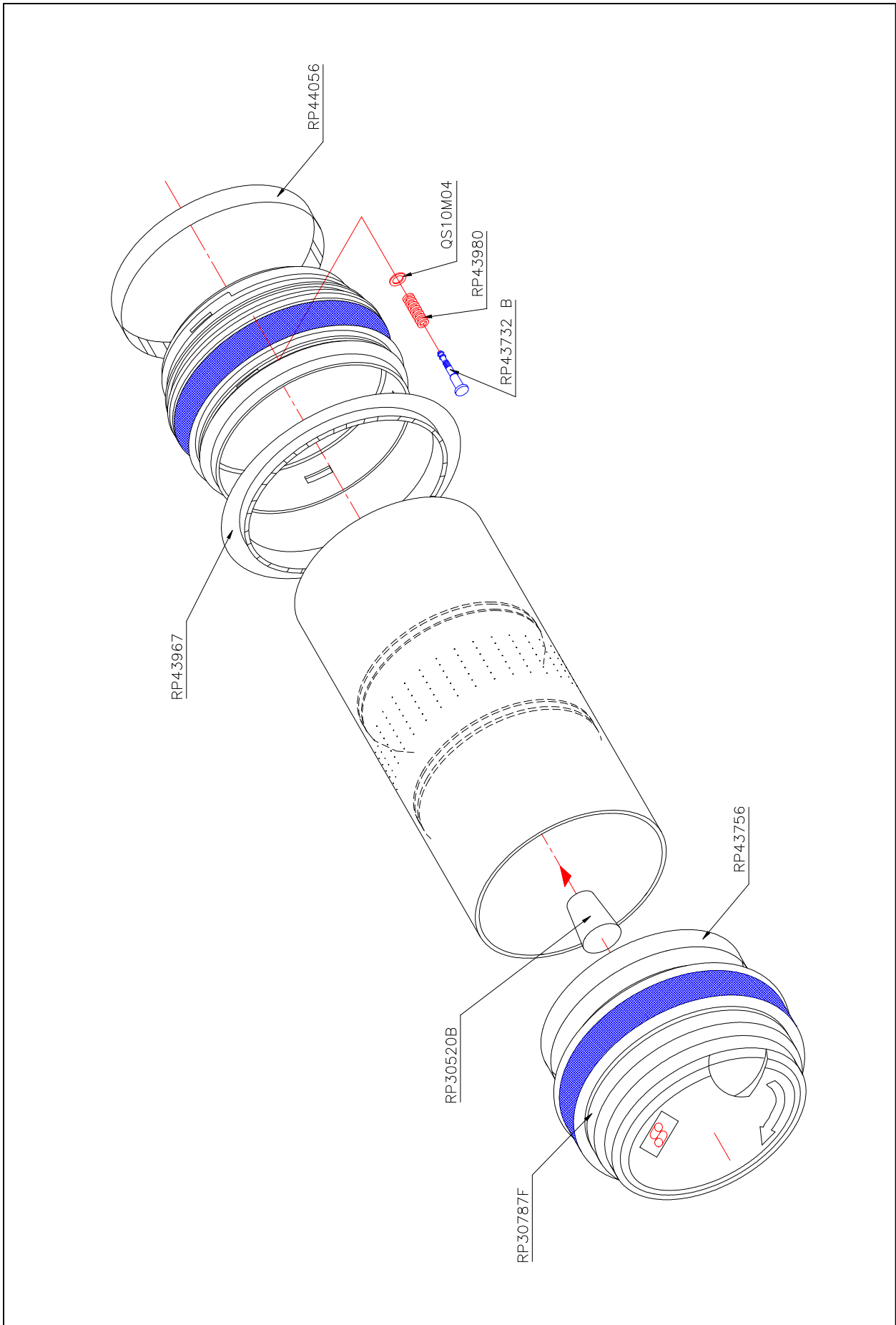
Carriers 160L/ 160K



No.	Part	Order No.	Remark
	HÜLSENROHR 160 120X2,5X220 BG2 LL=330MM	RP30750	Carrier tube 160K 120x2,5x220 loading length 330mm (incl. adhesive RP32509 and cleaner)
	HÜLSENROHR 160 120X2,5X290 BG3 LL=400MM	RP32438	Carrier tube 160L 120x2,5x290 loading length 400mm (incl. adhesive RP32509 and cleaner)
	HÜLSENROHR 160 120X2,5X120 BG4 LL=230MM	RP32652	Carrier tube 120x2,5x120 loading length 230mm (special length!)
	HÜLSENROHR 160 120X2,5X240 BG2 LL=350MM LADELÄNGE 350MM	RP30750A	carrier tube 160x2,5x240 loading length 350mm (special length!)
	MAKROLONROHR 120X2,5 GLASHELL 10 80030 ,LÄNGE 3METER,	RP30550	Makrolon carrier tube 120x2,5 loading length 420mm (special length!)
	HÜLSENKOPF 160 BG1 KOMPL.ROT	RP30787	Carrier head 160 construction group1 complete (identical for 160L and 160K)
	HÜLSE 160 DICHRING TPU RP954 SCHWARZ SHORE A-85	RP30744	Sealing ring TPU black
	DRUCKFEDER DA7.7 DI5.5 RP1053 (HÜLSENKOPF 160) NI-RO, L=26	RP30369	pressure spring (corrosion- resistant) Carrier 160 head
	KUGEL-NIROSTA WS4034 d=8,5mm	RP30968	Ball (corrosion-resistant steel) diameter=8,5mm
	SCHEIBE DIN 433 M6 VZKT Beilagscheibe DA 11	QS10M06	Washer M6
	SCHNEIDESCHRAUBE M6X30 TAPTITE DIN 7500, KOPF DIN 84, BN 2723	Q200630	Cutting screw DIN7500 M6x30

SPARE PARTS

Cleaning carrier 160



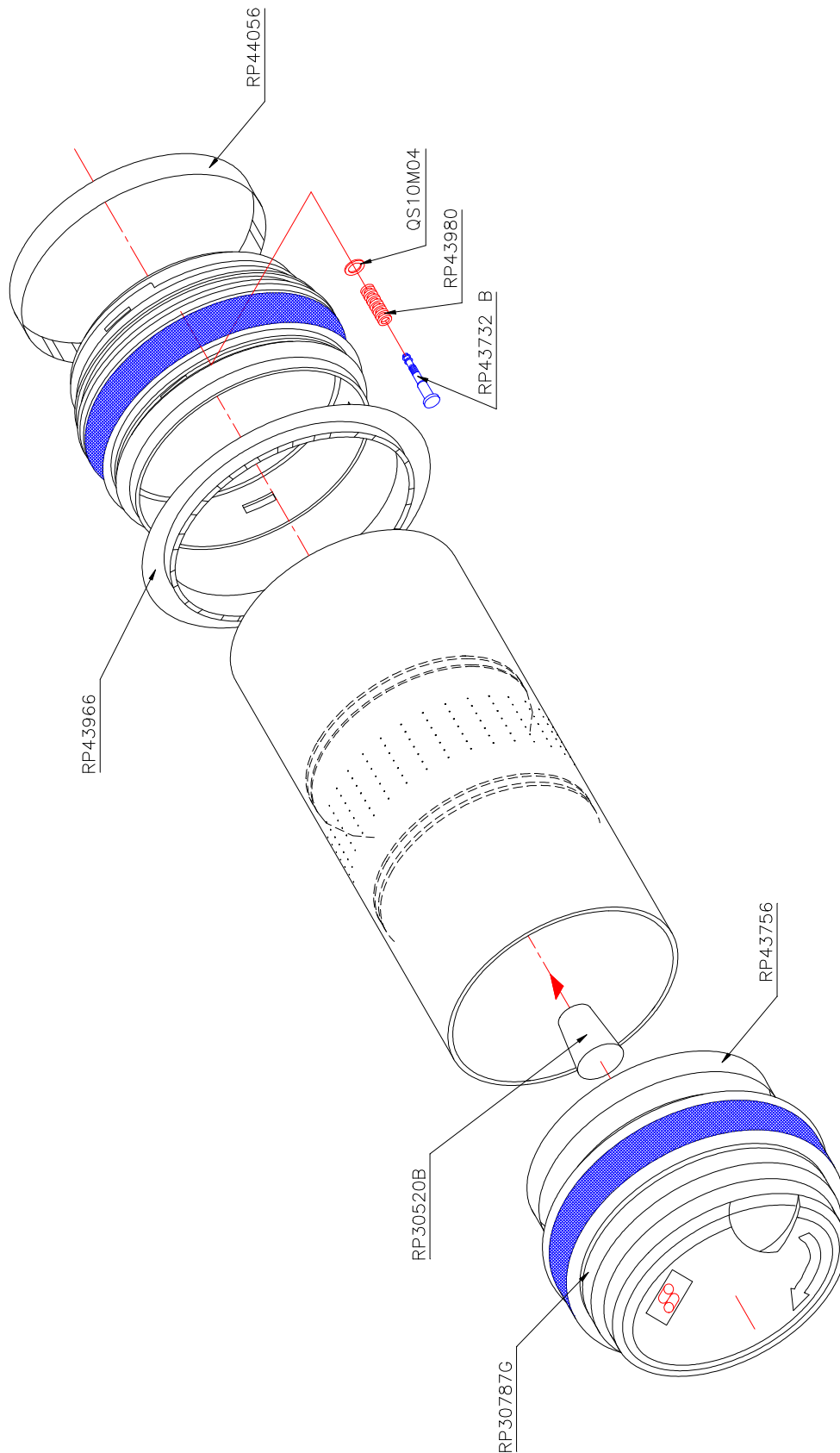
SPARE PARTS

Cleaning carrier 160

No.	Part	Order No.	Remark
	C 160 REINIGUNGSHÜLSE/CLEANING CARRIER SCHWENK GELB/SWIVEL YELLOW UN1045	RP44378A	Cleaning carrier NW160
	HÜLSENKOPF 160 BG1 KOMPL.GELB UN 1045 SCHWENKDECKEL;	RP30787F	Carrier head 160 BG1 complete
	GUMMISTOPFEN NR 18X24 H=30MM GRAU 3149	RP30520B	rubber seal grey Hight 30mm
	VERSANDHÜLSE 160-6"ACHSE28x4,2 NIRO; 1:4305,DIN17440;	RP43732B	Carrier 160-6" axle 28x4,2 corrosion resistant; 1.4305, DIN17440
	SCHEIBE DIN 433 M4 VZKT Beilagscheibe DA 8	QS10M04	Washer M4
	VERSANDHÜLSE 160 DICHRING SHORE A-95 SCHWARZ, TPU	RP43967	Carrier 160 sealing ring SHORE A-95, black, TPU
	DRUCKFEDER DA8,60,L=15.0MM 1.1200 C ,S=1,5.	RP43980	pressure spring DA8,60 L=15mm 1.1200C, s=1,5mm
	C 160-6" KENZ.RING/COLOUR RING SCHWARZ TPU 95 SHORE A UN0055 BLACK	RP43756	Carrier 160-6" code ring BLACK
	C 160-6" KENZ.RING/COLOUR RING WEISS TPU 95 SHORE A UN0001 WHITE	RP44056	carrier 160-6" code ring WHITE

SPARE PARTS

Cleaning carrier 6"



SPARE PARTS

Cleaning carrier 6"

No.	Part	Order No.	Remark
	C 6" 14x4.5" CLEANING CARRIER SW.YELLOW REINIGUNGSHÜLSE	RP44378	Cleaning carrier NW6"
			#NV
	HÜLSENKOPF 6" BG1 KOMPL.GELB UN 1045	RP30787G	Carrier head 6" BG1 complete
	GUMMISTOPFEN NR 18X24 H=30MM GRAU 3149	RP30520B	rubber seal grey Hight 30mm
	VERSANDHÜLSE 160-6"ACHSE28x4,2 NIRO; 1:4305,DIN17440;	RP43732B	Carrier 160-6" axle 28x4,2 corrosion resistant; 1.4305, DIN17440
	SCHEIBE DIN 433 M4 VZKT Beilagscheibe DA 8	QS10M04	Washer M4
	VERSANDHÜLSE 6" DICHRING SHORE A- 95 SCHWARZ, TPU UN0055	RP43966	Carrier 6" sealing ring SHORE A 95, black, TPU
	DRUCKFEDER DA8,60,L=15.0MM 1.1200 C ,S=1,5,	RP43980	pressure spring DA8,60 L=15mm 1.1200C, s=1,5mm
	C 160-6" KENNZ.RING/COLOUR RING SCHWARZ TPU 95 SHORE A UN0055 BLACK	RP43756	Carrier 160-6" code ring BLACK
	C 160-6" KENNZ.RING/COLOUR RING WEISS TPU 95 SHORE A UN0001 WHITE	RP44056	carrier 160-6" code ring WHITE

MAINTENANCE
carrier sliding rings

See documentation „MAINTENANCE“ chapter „CARRIER SLIDING RINGS“