
System MP10000 (NW160/6“)

**CARRIER NW160/6“
Yellow**


**ARCHITECT'S – ENGINEER'S
OWNER'S GUIDE**

Sumetzberger® 

PNEUMATIC TUBE SYSTEMS

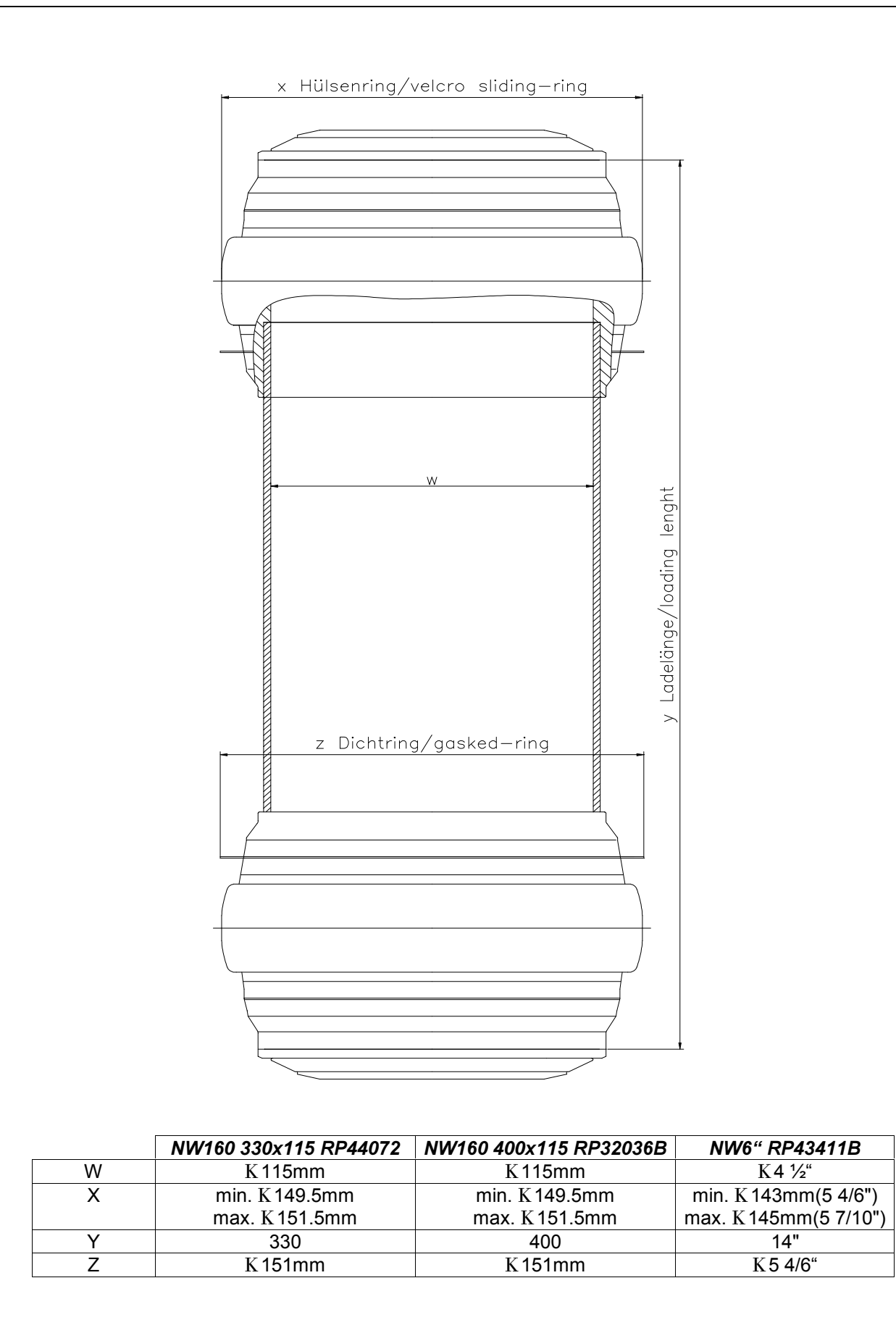
www.sumetzberger.com

CHAPTER I.	CONTENTS	1
CHAPTER II.	GENERAL	1
	GENERAL TECHNICAL DESCRIPTION	1
CHAPTER III.	DATA SHEET	1
	MEASUREMENTS- CARRIER	1
CHAPTER IV.	SPARE PARTS	1
	CARRIERS NW160 400x115, 330x115	1
	CARRIER NW6 ^{cc}	3
CHAPTER V.	MAINTENANCE	1
	VELCRO SLIDING RINGS	1

Model	Carrier with swivel lid NW 160/6“	
Manufacturer	Ing. Sumetzberger GmbH. Leberstr. 108 A-1110 Vienna	
Method of construction	waterproof carrier with swivel lid	
Application	transport of different products	
Loading diameter Loading length	Ø115mm/4,5“ 330mm /400mm / 355,6mm(14“)	
Code rings	available in the following colors: black/white/red/blue/green	
Field of application	Bend radius 800/1200mm: carrier NW160 400x115 (330x115) Bend radius 36“: carrier NW 6“ loading length 14“	
Order no.	NW160 330x115 RP44072 NW160 400x115 RP32036B NW 6" 14"x4.5" RP43411B Color code rings: black RP43756 red RP44054 blue RP44055 white RP44056 green RP44057	
		

DATA SHEET

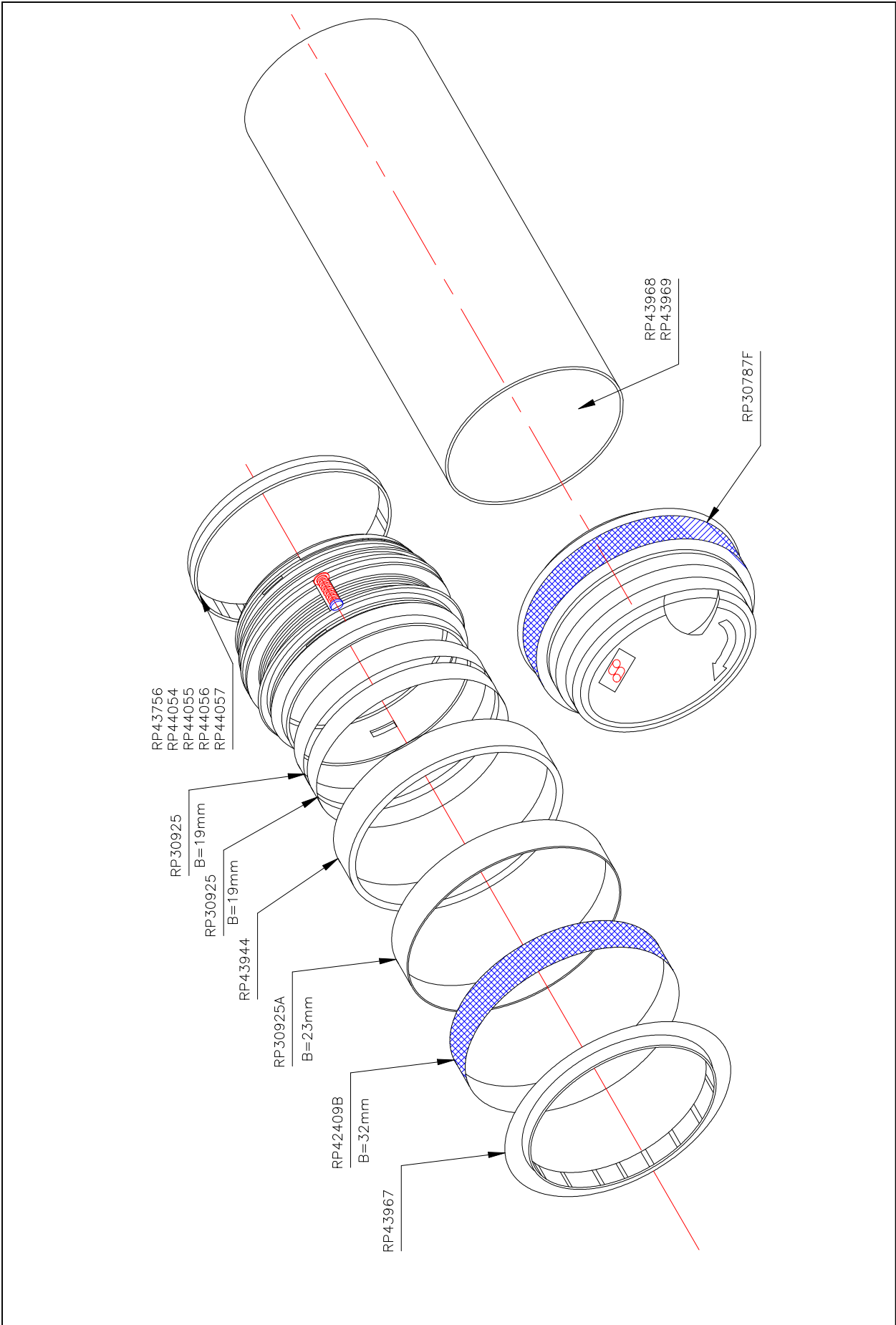
Measurements- Carrier



	NW160 330x115 RP44072	NW160 400x115 RP32036B	NW6" RP43411B
W	K 115mm	K 115mm	K 4 1/2"
X	min. K 149.5mm max. K 151.5mm	min. K 149.5mm max. K 151.5mm	min. K 143mm(5 4/6") max. K 145mm(5 7/10")
Y	330	400	14"
Z	K 151mm	K 151mm	K 5 4/6"

SPARE PARTS

Carriers NW160 400x115, 330x115



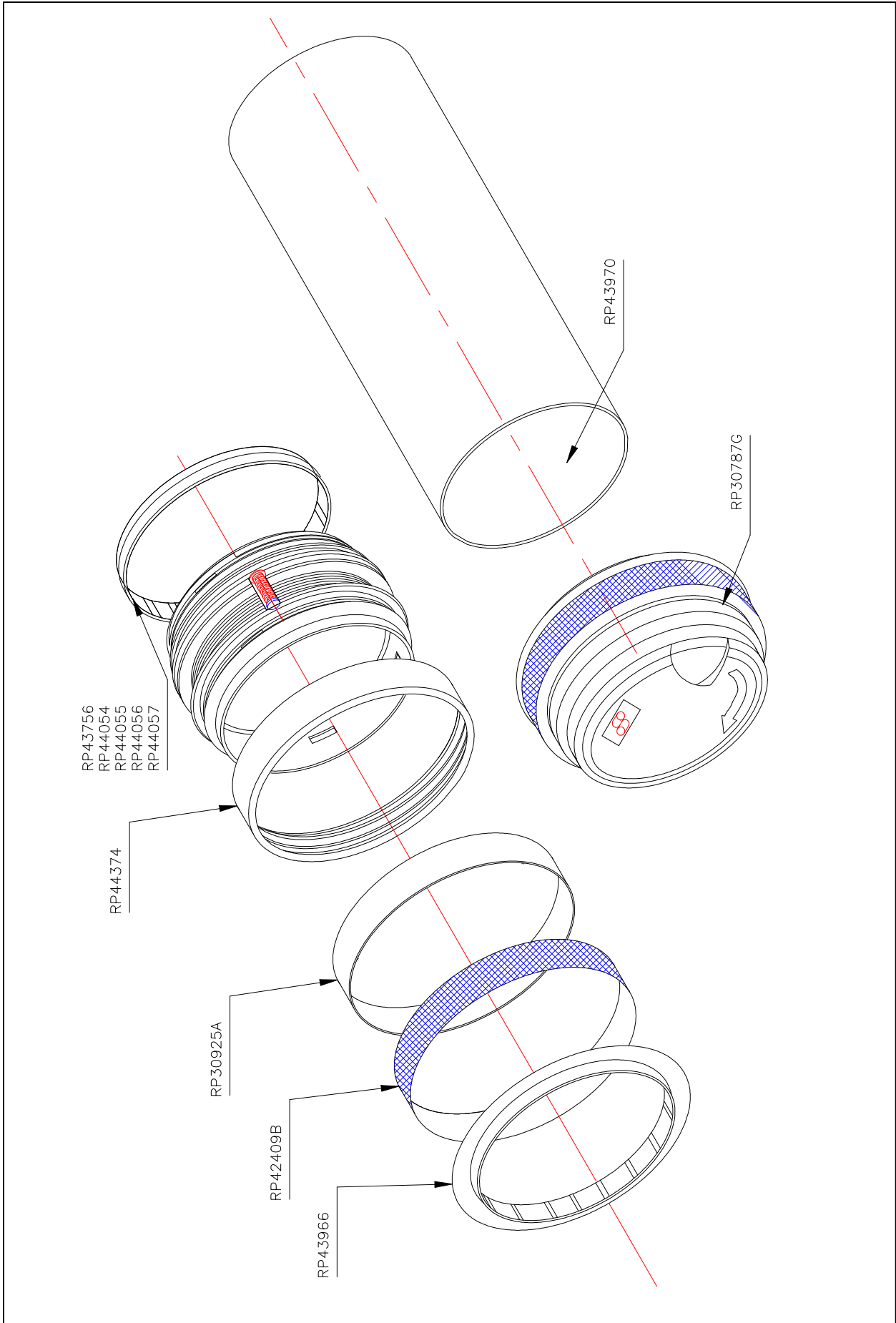
SPARE PARTS

Carriers NW160 400x115, 300x115

No.	Part	Order No.	Remark
	C 160L 400X115 SCHWENK GELB/SWIVELYELLOW UN 1045	RP32036B	Carrier 160 YELLOW 400x115mm
	C 160K 330X115 SCHWENK GELB/SWIVELYELLOW UN 1045	RP44072	Carrier 160 330x115 YELLOW
	HÜLSENKOPF 160 BG1 KOMPL.GELB UN 1045 SCHWENKDECKEL;	RP30787F	Carrier head 160 BG1 complete
	VERSANDH.160L BG.HÜLSENROHR L=298MM	RP43969	Carrier tube L=296mm
	VERSANDH.160K BG.HÜLSENROHR L=226MM	RP43968	Carrier tube L=226mm
	VERSANDHÜLSE 160-6"ACHSE28x4,2 NIRO; 1:4305,DIN17440;	RP43732B	Carrier 160-6" axle 28x4,2 corrosion resistant; 1.4305, DIN17440
	SCHEIBE DIN 433 M4 VZKT Beilagscheibe DA 8	QS10M04	Washer M4
	VERSANDHÜLSE 160 DICHRING SHORE A- 95 SCHWARZ, TPU	RP43967	Carrier 160 sealing ring SHORE A-95, black, TPU
	DRUCKFEDER DA8,60,L=15.0MM 1.1200 C ,S=1,5,	RP43980	pressure spring DA8,60 L=15mm 1.1200C, s=1,5mm
	C 160-6" KENNZ.RING/COLOUR RING SCHWARZ TPU 95 SHORE A UN0055 BLACK	RP43756	Carrier 160-6" code ring BLACK
	C 160-6" KENNZ.RING/COLOUR RING ROT/RED TPU 95 SHORE A UN3003 RED	RP44054	carrier 160-6" code ring ROT
	C 160-6" KENNZ./COLOUR RING BLAU/BLUE TPU 95 SHORE A UN5056	RP44055	carrier 160-6" code ring BLUE
	C 160-6" KENNZ.RING/COLOUR RING WEISS TPU 95 SHORE A UN0001 WHITE	RP44056	carrier 160-6" code ring WHITE
	C 160-6" KENNZ./COLOUR RING GRÜN/GREEN TPU 95 SHORE A UN6041	RP44057	carrier 160-6" code ring GREEN

SPARE PARTS

Carrier NW6"



SPARE PARTS

Carrier NW6“

No.	Part	Order No.	Remark
	C 6" 14x4,5" SWIVEL YELLOW SWIVEL YELLOW UN	RP43411B	carrier 6" 14"x4.5" YELLOW
	HÜSENKOPF 6" BG1 KOMPL.GELB UN 1045	RP30787G	Carrier head 6" BG1 complete
	VERSANDH.6"14"BG.HÜSENROHR L=254MM;LADELÄNGE 14",356mm	RP43970	Carrier tube L=254mm (10")
	VERSANDHÜLSE 160-6"ACHSE28x4,2 NIRO; 1:4305,DIN17440;	RP43732B	Carrier 160-6" axle 28x4,2 corrosion resistant; 1.4305, DIN17440
	SCHEIBE DIN 433 M4 VZKT Beilagscheibe DA 8	QS10M04	Washer M4
	VERSANDHÜLSE 6" DICHTRING SHORE A-95 SCHWARZ, TPU UN0055	RP43966	Carrier 6" sealing ring SHORE A 95, black, TPU
	DRUCKFEDER DA8,60,L=15.0MM 1.1200 C ,S=1,5.	RP43980	pressure spring DA8,60 L=15mm 1.1200C, s=1,5mm
	C 160-6" KENZ.RING/COLOUR RING SCHWARZ TPU 95 SHORE A UN0055 BLACK	RP43756	Carrier 160-6" code ring BLACK
	C 160-6" KENZ.RING/COLOUR RING ROT/RED TPU 95 SHORE A UN3003 RED	RP44054	carrier 160-6" code ring ROT
	C 160-6" KENZ./COLOUR RING BLAU/BLUE TPU 95 SHORE A UN5056	RP44055	carrier 160-6" code ring BLUE
	C 160-6" KENZ.RING/COLOUR RING WEISS TPU 95 SHORE A UN0001 WHITE	RP44056	carrier 160-6" code ring WHITE
	C 160-6" KENZ./COLOUR RING GRÜN/GREEN TPU 95 SHORE A UN6041	RP44057	carrier 160-6" code ring GREEN

MAINTENANCE
Velcro sliding rings

look at documentation „MAINTENANCE“ chapter „CARRIER“